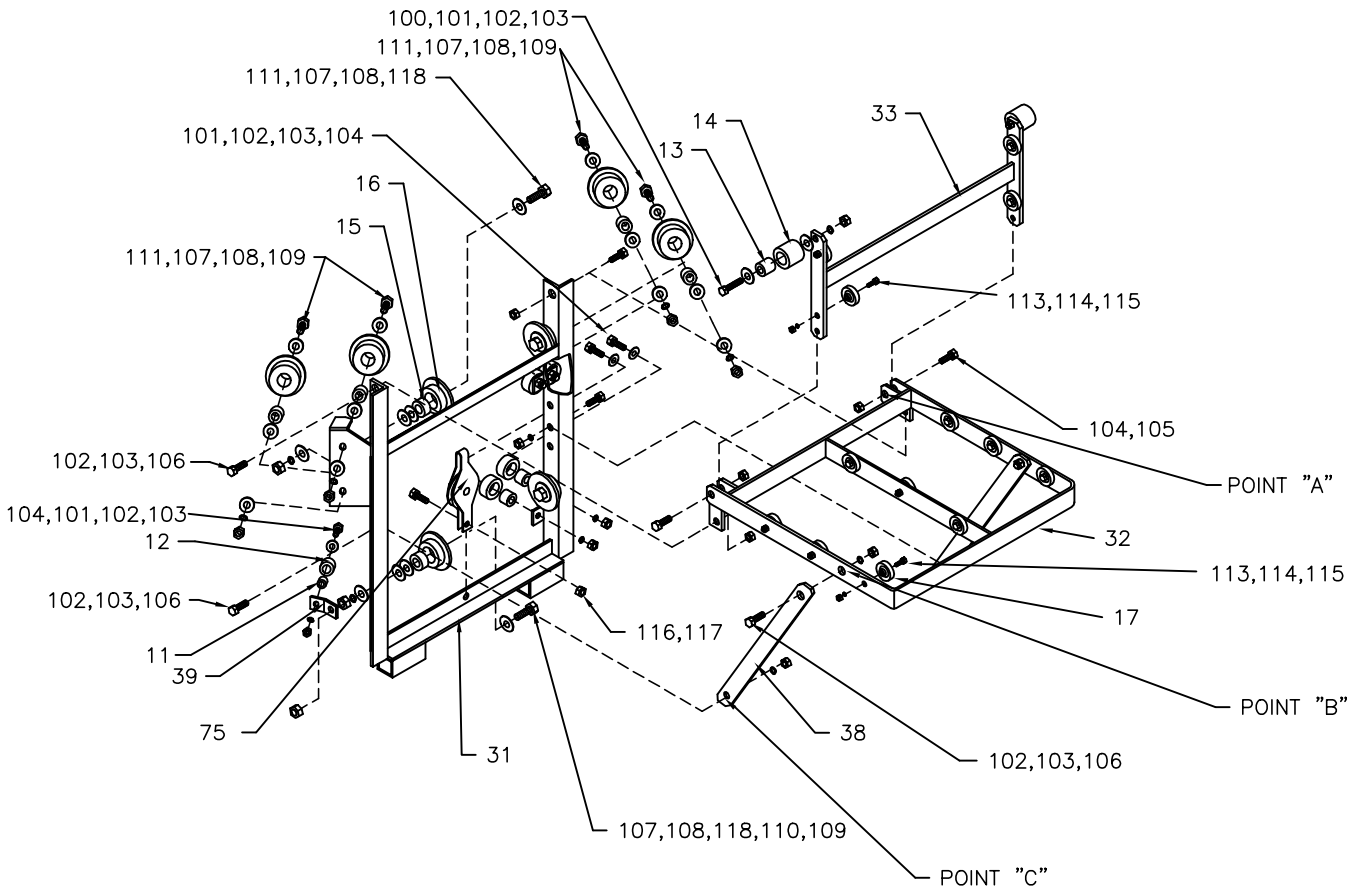


ITEM	NO.	QTY.	DESCRIPTION
11	511011	6	SMALL BUSHING
12	511012	6	SMALL WHEEL
13	511013	2	MEDIUM BUSHING
14	511014	2	MEDIUM WHEEL
15	511015	8	LARGE BUSHING
16	511016	8	LARGE WHEEL
17	940185	13	TROLLEY WHEEL
31	512031	1	MAIN FRAME
32	512032	1	PLATFORM
33	512033	1	PIVOT BRACKET
38	512038	2	BRACE
39	511039	2	SUPPORT
75	921721	1	BOTTOM SHEAVE
100	910156	2	BOLT, HEX.
101	912003	22	WASHER
102	912503	12	LOCKWASHER
103	913007	12	NUT, HEX.
104	910155	6	BOLT, HEX.
105	913507	4	LOCKNUT
106	910152	6	BOLT,HEX.
107	912004	28	WASHER
108	912504	8	LOCKWASHER
109	913009	8	NUT, HEX.
110	910209	2	BOLT, HEX.
111	910207	8	BOLT, HEX.
112	910155	2	BOLT, HEX.
113	910054	13	BOLT, HEX.
114	912501	13	LOCKWASHER
115	913003	13	NUT, HEX.
116	910154	1	BOLT, HEX.
117	913507	1	LOCKNUT
118	913509	4	LOCKNUT



DATE:	12.24.1997	PLATFORM LH 400
REV.:	03.01.2013	
EQUIPMENT GRIZZLY EQUIPMENT		512030