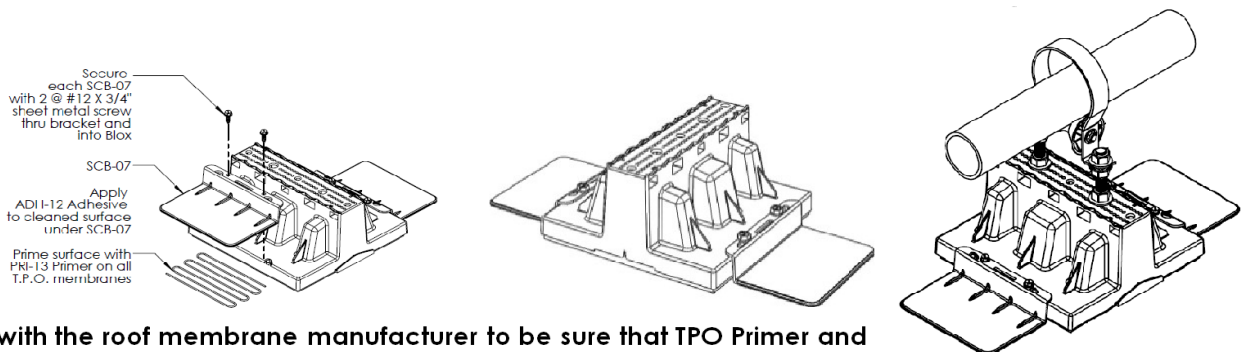


1. Space RTB-01 Roof Top Blox® every 7' along piping on flat or low pitch roof tops.
2. Remove all loose aggregate from under Blox base on gravel covered roof tops.
3. Always install loads at the lowest elevation possible and centralize load on Blox for best stability.
4. For loads under 250lbs/113kg per Blox the piping may be mounted directly on Blox top. Use the pipe saddles to organize pipe always keeping the load centralized. For short piping runs use supplied perforated strap (**check for code compliance**) to mount pipe up to 2" diameter with #10 sheet metal screws driven into indents on Blox top. Conventional pipe clips or U-clamps are also optional (Fig.011, 012, 013).
5. The RTB-01 is 4.5" high, if 6" block height is a requirement use accessory XTB-02 plastic height extender or 1.5" slotted steel strut. The XTB-02 may be mounted directly to Blox with screws provided. XTB-02 will lift piping an additional 1.5" (Max. 100lbs/45kg) or install the XTB-02 elevated on threaded rods (Max. 100lbs/45kg). For pipes larger than 3" always use strut to elevate piping (Fig.021, 022).
6. To install threaded rods, insert nut into Blox nut slot, add jamb nut and washer onto rods and thread rods into Blox. Thread rods into Blox min. of 1" **but not more than 3"**. Your finish height adjustments can be made at the Blox nut or upper rod fastening points. **Use only medium torque on Blox top jamb nuts or roller mounting bolts. (15 ft. lbs torque maximum) Apply Loctite® on threads (Fig. 030).**
7. RTB-01 is rated for 350lb/158kg maximum static loads. STR-04 strut must be applied after 250lbs.
8. For loads over 250lbs/113kg per Blox always install STR-04 slotted strut on Blox top beneath loads. Mount slotted strut directly on Blox with three #14 sheet metal screws and washers. Drive screws into indents on Blox top. Strut may also be elevated using ROD-03 threaded rods (Fig.040, 041, 042).
9. For long piping runs install ROL-05 or ROL-06 rollers or oversized U-clamps to allow for piping expansion and contraction due to rooftop temperature swings (Fig.051, 061). **ROL-05 and ROL-06 are not to be used with XTB-02 applications.**
10. **Equipment elevated on a single Blox should never exceed 14" in overall height.** On heavy, wide or elevated piping runs, or tall mounted equipment always use good mechanical practice and common sense to stabilize the assembly. Be sure the system is not top heavy or unstable in any direction. To stabilize elevated loads construct 2 Blox or 4 Blox bridge assemblies using strut to spread out and stabilize base footing. Adjust each Blox so loads are carried equally (Fig. 064, 089, 091, 093).
11. **Once system is complete and all components are installed, permanently secure each Blox in place by applying the optional accessory SCB-07 Securing Brackets with ADH-12 Adhesive.** Be sure to clean the area where the adhesive is applied. Use PRI-13 TPO primer on TPO membranes. **Check with the roof membrane manufacturer to be sure that RTB-01, TPO Primer and M-1 Structural Adhesive are compatible with roofing system. The SCB-07 bracket is designed to secure the RTB-01 and mounted loads to roof surface, anchoring the BLOX from movement due to moderate wind, rain and snow loads.** The SCB-07 is not engineered to comply with seismic requirements and is not considered a seismic constraint (Fig.071, 089). See Illustration Below.

IMPORTANT RTB-01/ SCB-07 SECURING INSTRUCTION

Upon completing the piping installation, it is important and recommended that the RTB-01 Blox and piping installation be permanently secured in place using the accessory SCB-07 Securing Bracket.



Check with the roof membrane manufacturer to be sure that TPO Primer and M-1 Adhesive are compatible with membrane.

WARNING: Roof Top Blox products must be installed completely in accordance with this instruction document. Roof Top Blox must never be used for a purpose other than the purpose for which they were designed or in an application that exceeds the specified load ratings. All load ratings are for static conditions and do not account for dynamic or seismic loads. Improper installation, misuse, misapplication or failure to completely follow these instructions may cause product malfunction, property damage, serious bodily injury and death.

Installer is responsible for conformance to all local code compliance, qualified engineering for system application, good mechanical practice and safety, roof membrane compatibility, and integrity of the structure which the products are attached and the loads associated with both during and after installation.

IMPORTANT RTB-01/ SCB-07 SECURING INSTRUCTION

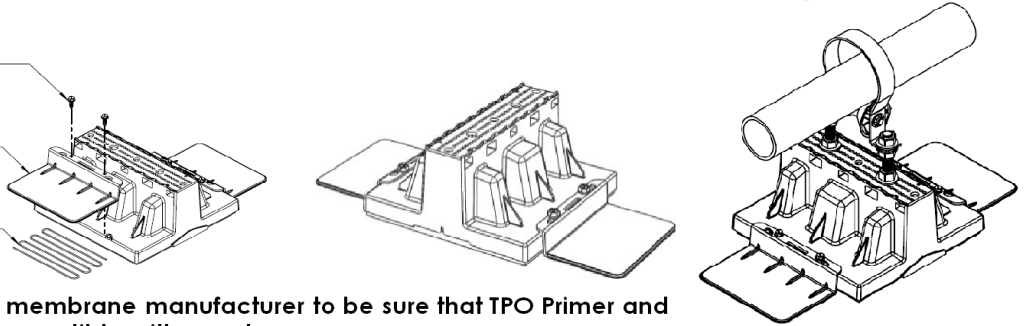
Upon completing the piping installation, it is important and recommended that the RTB-01 Blox and piping installation be permanently secured in place using the accessory SCB-07 Securing Bracket.

Secure each SCB-07 with 2 @ #12 X 3/4" steel metal screw thru bracket and into Blox

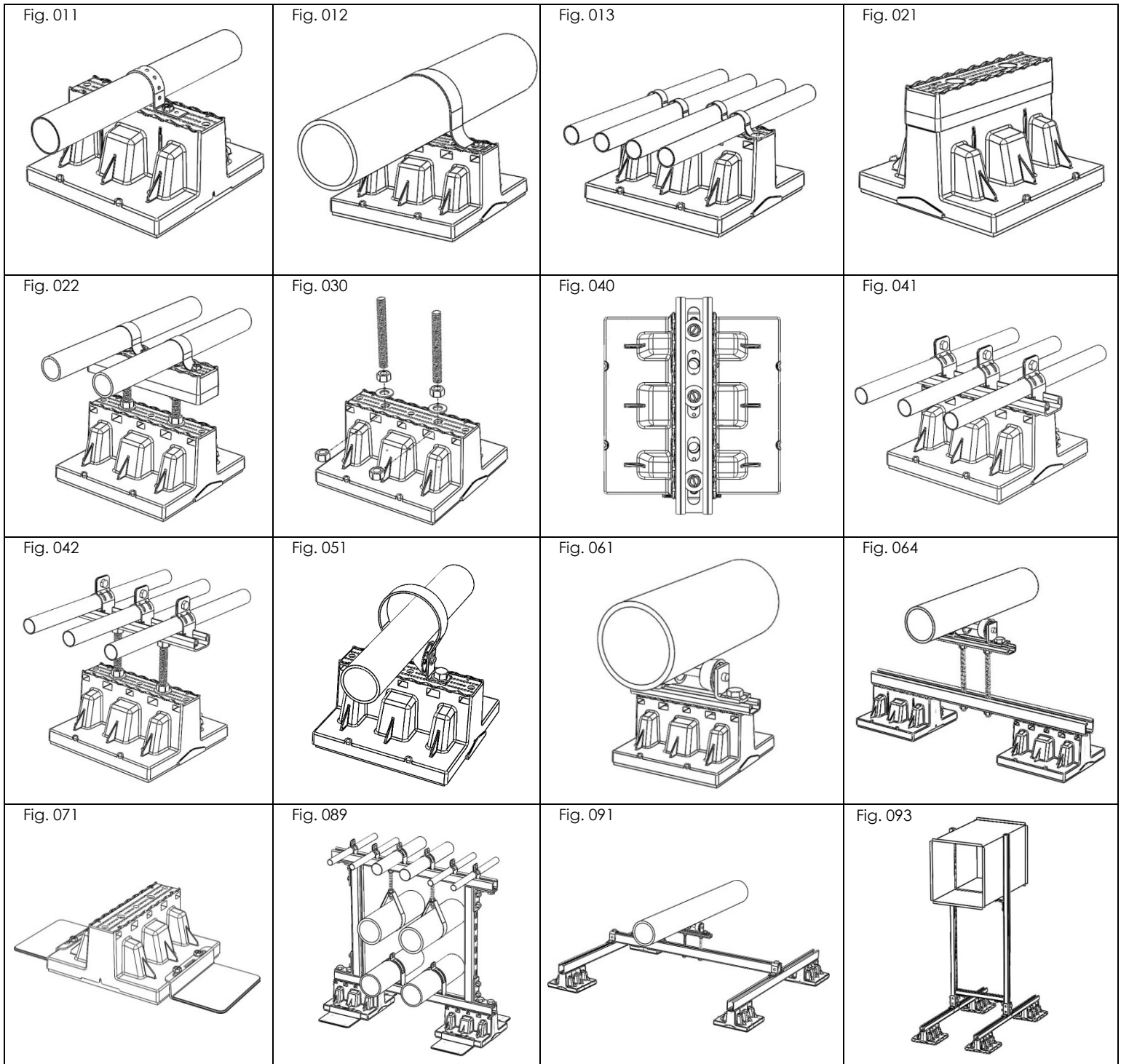
SCB-07

Apply ADI-12 Adhesive to cleaned surface under SCB-07

Prime surface with PFI-13 Primer on all T.P.O. membranes



Check with the roof membrane manufacturer to be sure that TPO Primer and M-1 Adhesive are compatible with membrane.



WARRANTY: Roof Top Blox warrants its products to be free from manufacturer defect for a period of 5 years. Should any such defects be discovered, the questionable product must be returned to Roof Top Blox. If upon inspection the part proves to be defective, Roof Top Blox will furnish a replacement. This warranty is limited to the replacement of defective product only. Warranty is void if products are misused, installed incorrectly or used in a manner that exceeds its load bearing ratings or height capacities. Warranty does not cover labor, shipping or any other costs associated with improper installation, Defective Products, Structure or Property Damage. Nor does this warranty cover acts of God, acts of government, storms, floods or fires.

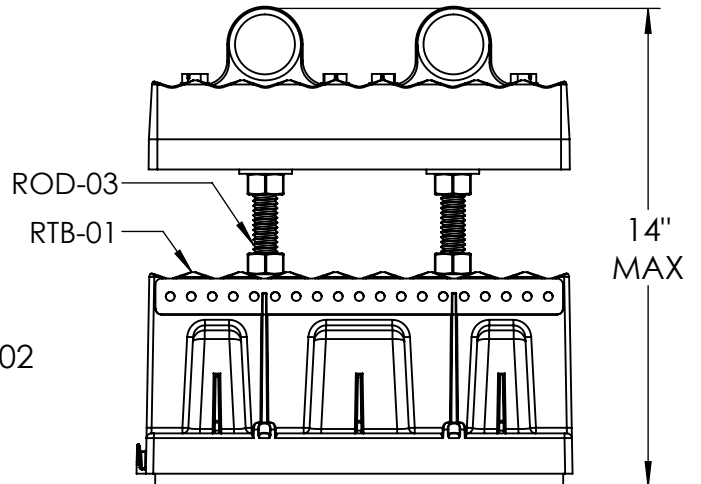
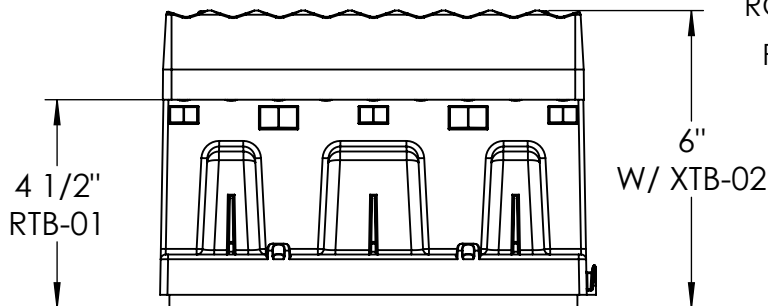
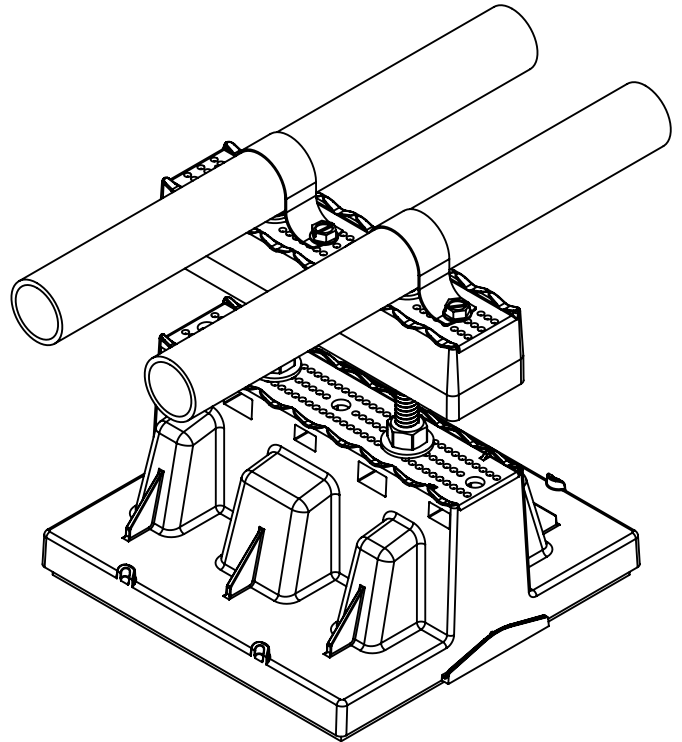
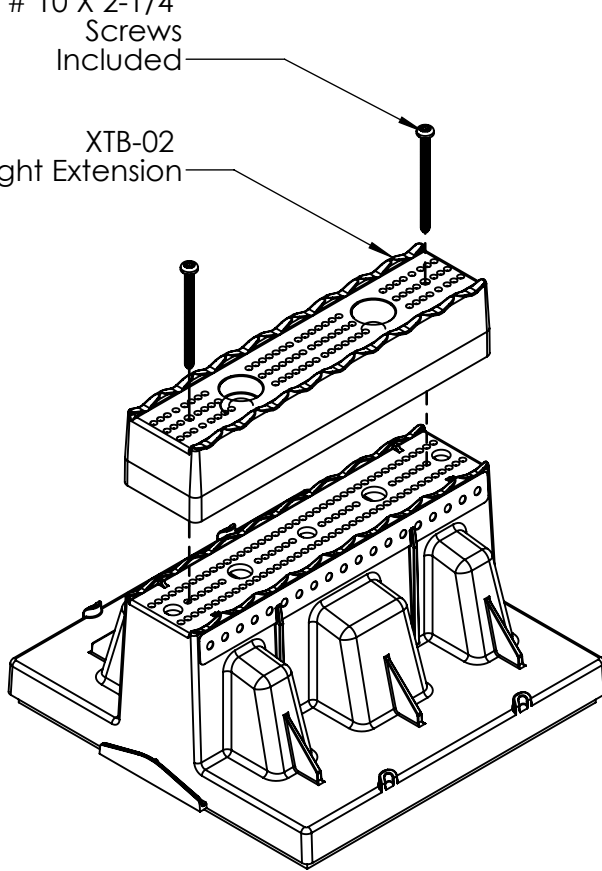
THE FOREGOING IS IN LIEU OF ANY OTHER WARRANTIES, EXPRESSED, IMPLIED OR STATUTORY, INCLUDING, WITHOUT LIMITATION, THE IMPLIED WARRANTY OF MERCHANTABILITY, AND ROOF TOP BLOX NEITHER ASSUMES NOR AUTHORIZES ANY PERSON TO ASSUME FOR ROOF TOP BLOX ANY OTHER OBLIGATION OR LIABILITY IN CONNECTION WITH THE SALE OF ITS PRODUCTS.

XTB-02 Height Extension Instruction Guide

1-1/2" Polypropylene Height Extender

2 X # 10 X 2-1/4"
Screws
Included

XTB-02
Height Extension



NOTES:

- Maximum weight on Blox mounted XTB-02 is 100 lbs/45 kg
- Maximum weight on elevated XTB-02 is 100 lbs./45 kg
- Maximum height on single Blox is 14" overall
- Install threaded rods a minimum of 1" and a maximum of 3" into Blox
- XTB-02 is not to be installed under any ROL-05 or ROL-06 roller applications.

Model RTB-01
U.P.C.
c

Roof Top®
BLOX

Adjustable Piping Support

US PAT. 7,731,131 CAN. PAT. 2,675,158

Blox with Height Extension

Max Load Per Blox:

XTB-02 Elevated on Rods : 100 lb/45 kg

XTB-02 Mounted on BLOX : 100 lb/45 kg

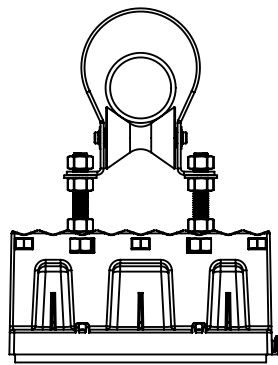
P: (860) 979-0345

www.rooftopblox.com

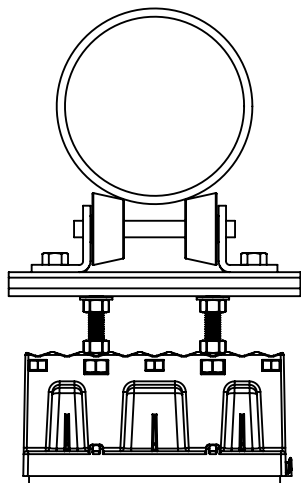
F: (860) 871-9218

info@rooftopblox.com

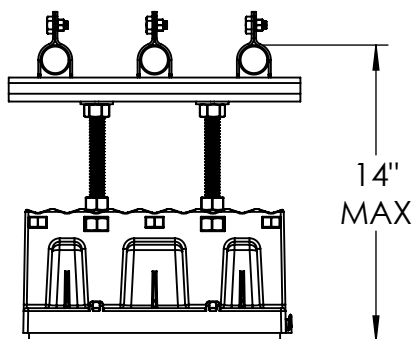
ROD-03 Threaded Rod Instruction Guide



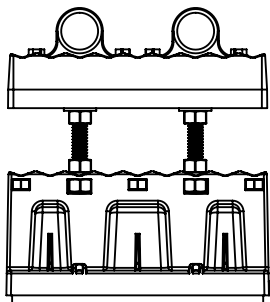
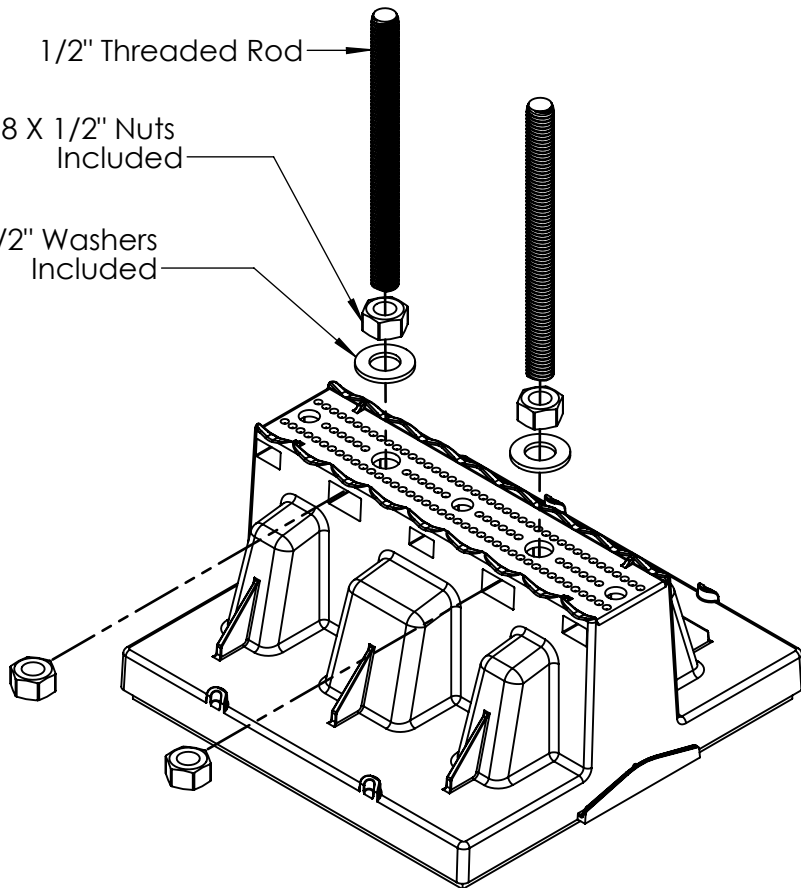
With ROL-05



With ROL-06



With STR-04



With XTB-02

Max Load with XTB-02
Mounted Directly on Blox or
Elevated on Threaded Rod:
100 lb / 45 kg

NOTES:

- Do not overtorque jamb nuts on Blox top surface. Use 15 ft-lb max torque and Loctite on Blox jamb nuts
- Maximum height on single Blox is 14" overall
- Install rods a minimum of 1" and a maximum of 3" into Blox



Roof Top[®]
BLOX

Adjustable Piping Support

US PAT. 7,731,131 CAN. PAT. 2,675,158

Blox with ROD-03 Threaded Rod

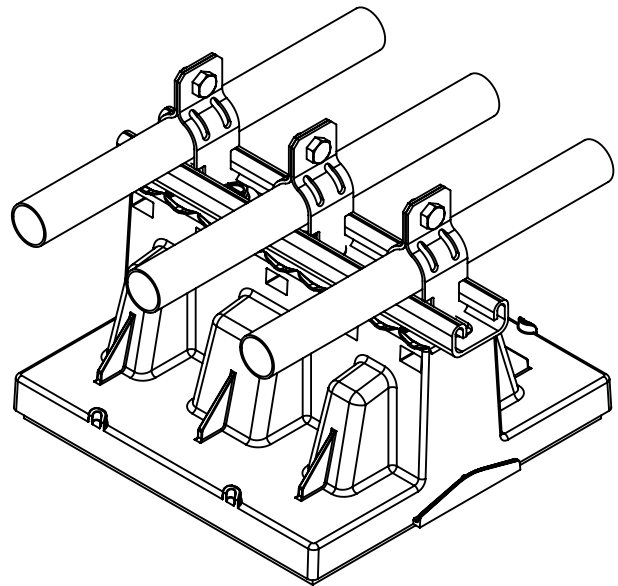
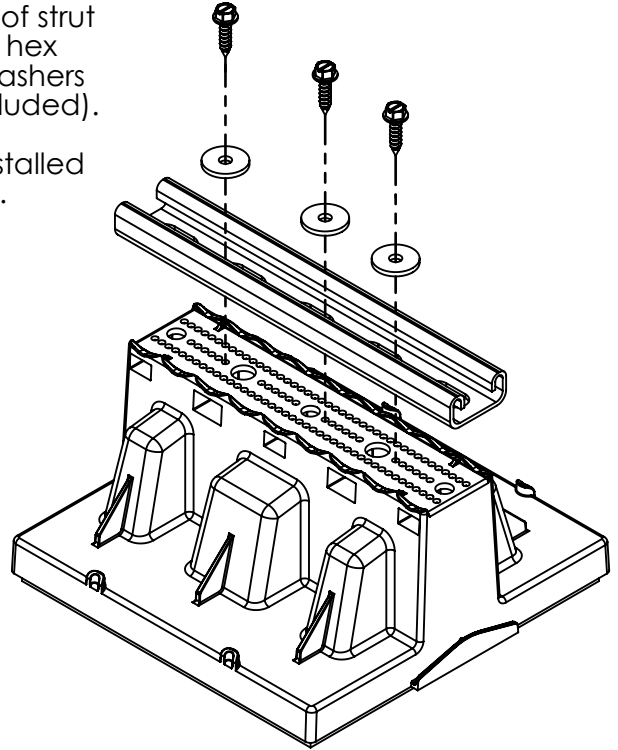
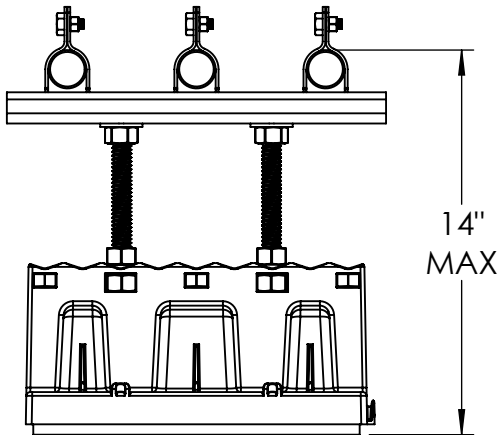
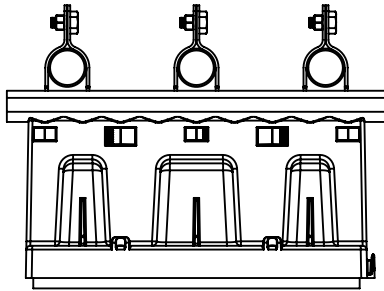
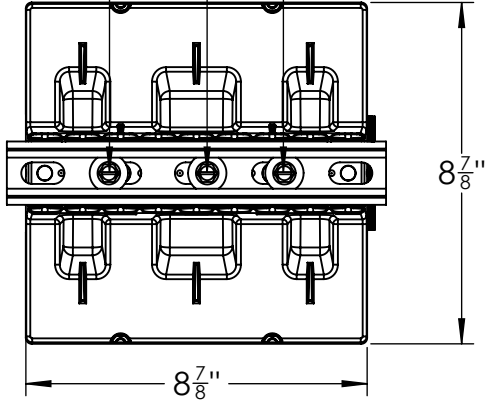
Max Load Per Blox:
Single Point: 250 lb/113 kg
Dual Point or Strut-Mounted Load: 350 lb/158 kg

P: (860) 979-0345 www.rooftopblox.com
F: (860) 871-9218 info@rooftopblox.com

STR-04 Strut Installation Guide

Proper installation of strut requires 3 #14 X 1" hex screws with 1/4" washers (hardware not included).

Screws must be installed at positions shown.



NOTES:

- Use 3 X #14 X 1" sheet metal screws with washers to mount STR-04 directly on Blox, at 3 inside slots of strut (as shown).
- Do not overtighten or strip out # 14 screws
- Use 15 ft./lbs max torque on jamb nuts on Blox top surface; use Loctite on threads
- Maximum height on single Blox is 14" overall

Model RTB-01
U.P.C.
c

Roof Top®
BLOX

Adjustable Piping Support

US PAT. 7,731,131 CAN. PAT. 2,675,158

Blox with STR-04 Strut

Max Load Per Blox:
Single Point: 250 lb/113 kg
Dual Point or Strut-Mounted Load: 350 lb/158 kg

P: (860) 979-0345
F: (860) 871-9218

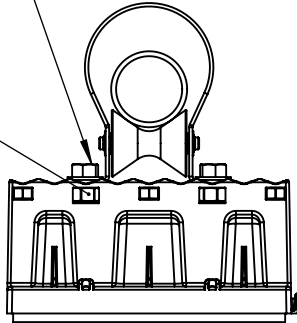
www.rooftopblox.com
info@rooftopblox.com

FC @\$) 'Fc`Yf`bghU`Uh]cb ; i]XY`

5 i a]bi a 'Fc`Yf`Zcf`%!' ``D]dY

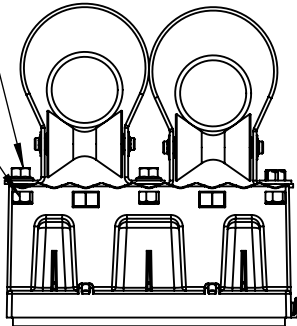
%#&``L`%`<YI`'6c`h
I gY`%#&``<UfXk UfY
ZcfG]b[`Y`Fc`Yf
7 YbhYf!A ci bhYX
cb`6`cl

%#&``Bi h



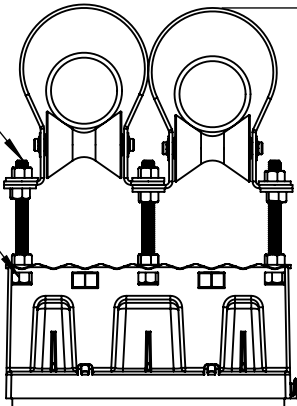
' #, ``L`%`<YI`'6c`h
I gY` #, ``<UfXk UfY
Zcf`A i`h]d`Y`Fc`Yfg

' #, ``Bi h
bgyfhi]brc`6`cl
`D`UW`g

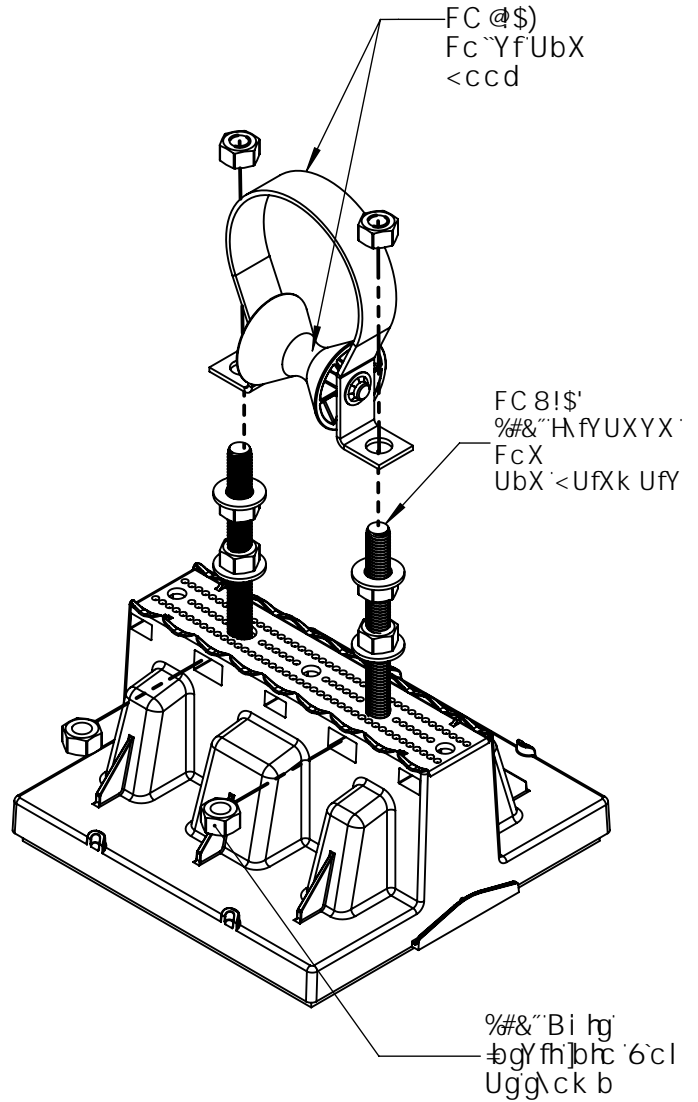


' #, ``
H`fY`U`X`Y`X
Fc`X

' #, ``Bi h



5/8"
A 5L



C d]h]cbU`FC 8!\$` U`W`W`g`c`f`m
%#&``H`fY`U`X`Y`X` Fc`X`_]h]g`U]j`U]UV`Y

C h`Y`f`k`]gY`
7`cb`h`U`W`c`f`]g`h`c`g`d`d`m` #, ``c`f`%#&``bi`hg`V`c`hg`UbX`h`fY`U`X`Y`X` f`c`X

BC H9G

i I gY`%`Z`h`V`g`a`U`I`h`c`f`e`i`Y`c`b`'U`a`V`b`i`h`g`c`b`'6`c`l`h`c`d`'g`f`Z`U`W`/`.....
i gY`@`W`h`Y`c`b`h`fY`U`X`g
i A`U`I`]a`i`a` \`Y`]` \`h`c`b`]g`b[`Y`'6`c`l`]g`%`(``c`j`Y`f`U`
i b`g`U`~`f`c`X`g`U`'a`]b`]a`i`a`'c`Z`%`]b`h`c`'6`c`l`Z`U`b`X`U`'a`U`I`'c`Z`'`
i FC`@\$)`]g`b`c`h`c`'V`Y`i`g`Y`X`'k`]h`L`H`!`\$`&`U`d`d`]W`U`h`c`g`



Adjustable Piping Support

US PAT. 7,731,131 CAN. PAT. 2,675,158

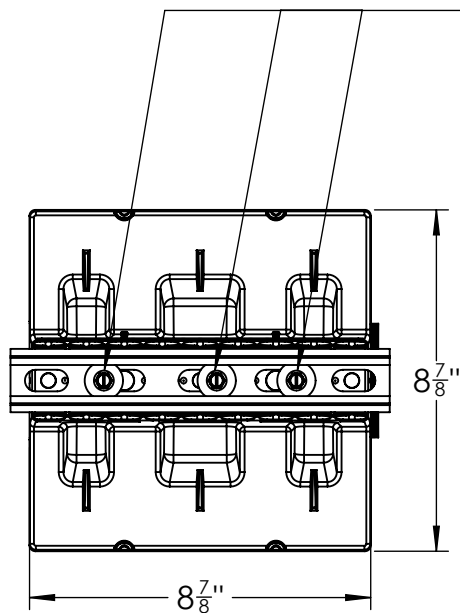
6`c`l`'k`]h`'%'!` ``D]dY`Fc`Yf`5`g`g`m`l`

A`U`I`@`U`X`D`Y`f`6`c`l`
G`b[`Y`D`c`]h`&`\$`V`#`%`_`]`
8`i`U`'D`c`]h`c`f`G`f`i`H`A`c`i`b`h`Y`@`U`X`.'`)'`\$`V`#`%`_`]`

D`f`]`*`\$`E`-`+`!`\$`(`` k`k`k`f`c`c`Z`c`d`V`c`l`"W`c`a`
:`f`l`*`\$`E`_`+`%`-`&`%`]b`Z`4`f`c`c`Z`c`d`V`c`l`"W`c`a`

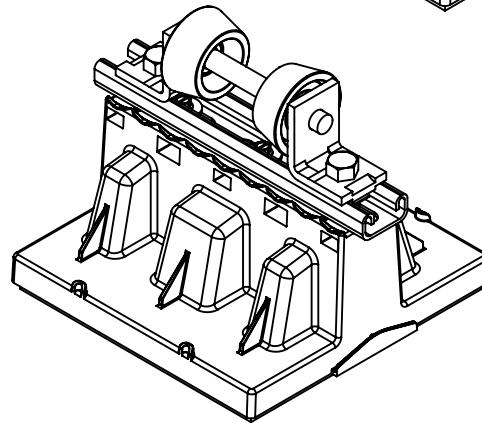
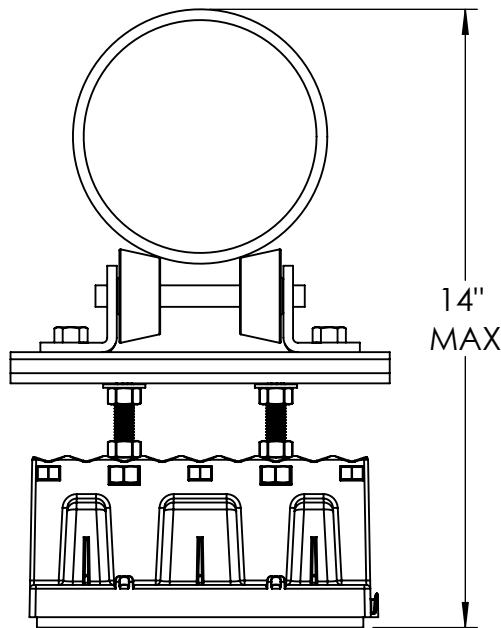
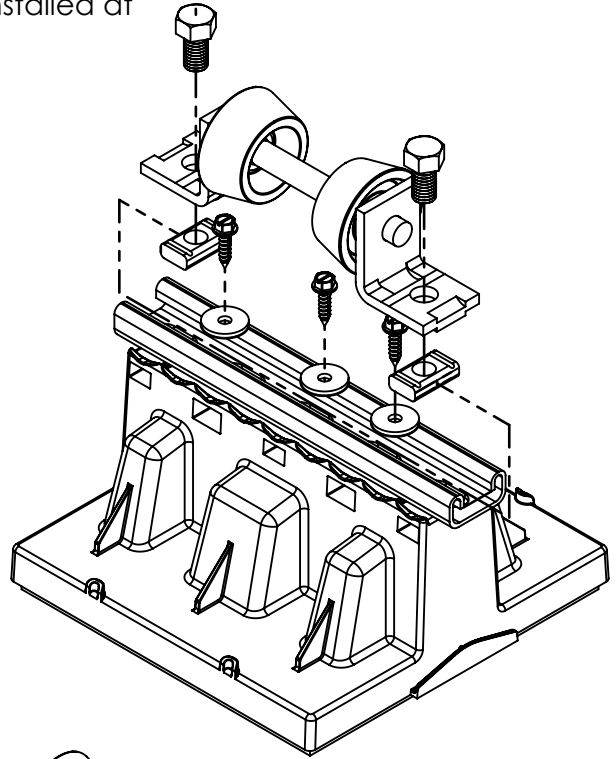
ROL-06 Roller Installation Guide

Aluminum Roller for 4"-6" Pipe



Proper installation of strut requires 3 #14 X 1" hex screws with 1/4" washers (hardware included with ROL-06).

Screws must be installed at positions shown.



NOTES:

- Use 3 X #14 X 1" sheet metal screws with washers (provided) to mount strut directly on Blox, at 3 inside slots of strut (as shown).
- Do not overtighten or strip out # 14 screws
- Be sure to properly tighten 1/2" Hex Bolts on roller brackets
- Use 15 ft./lbs max torque on jamb nuts on Blox top surface; use Loctite on threads
- Maximum height on single Blox is 14" overall
- ROL-06 is not to be used with XTB-02 applications.
- Install ROL-06 to center line of Blox



Roof Top[®]
BLOX

Adjustable Piping Support

US PAT. 7,731,131 CAN. PAT. 2,675,158

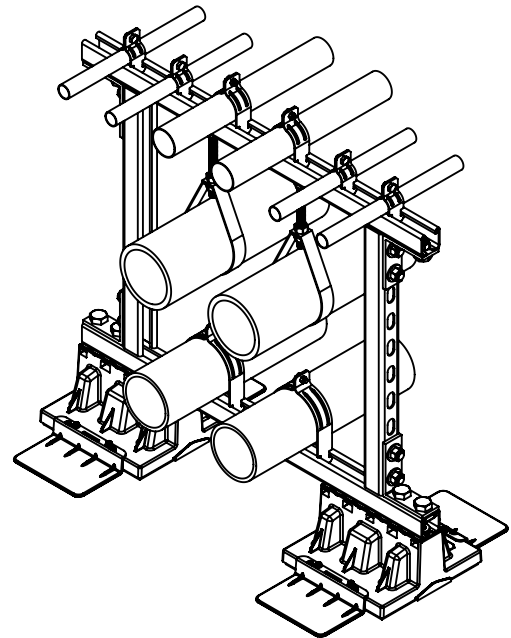
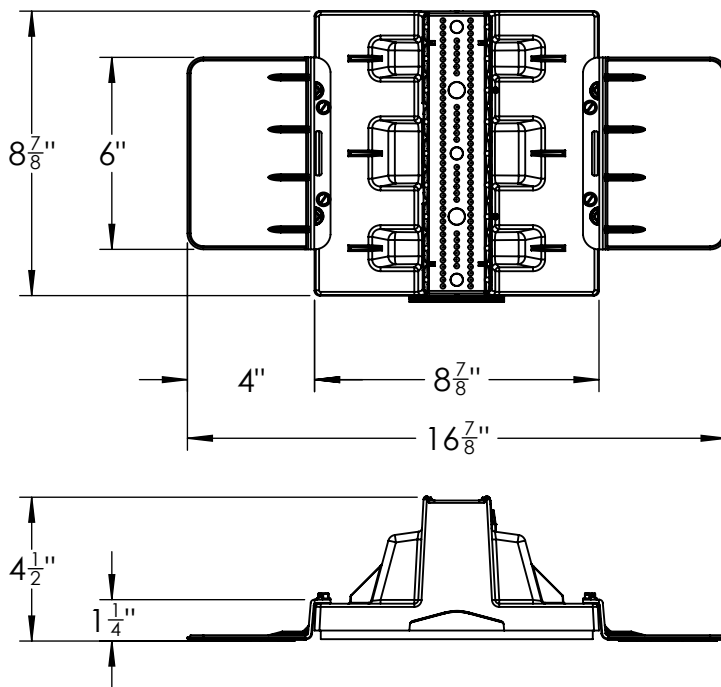
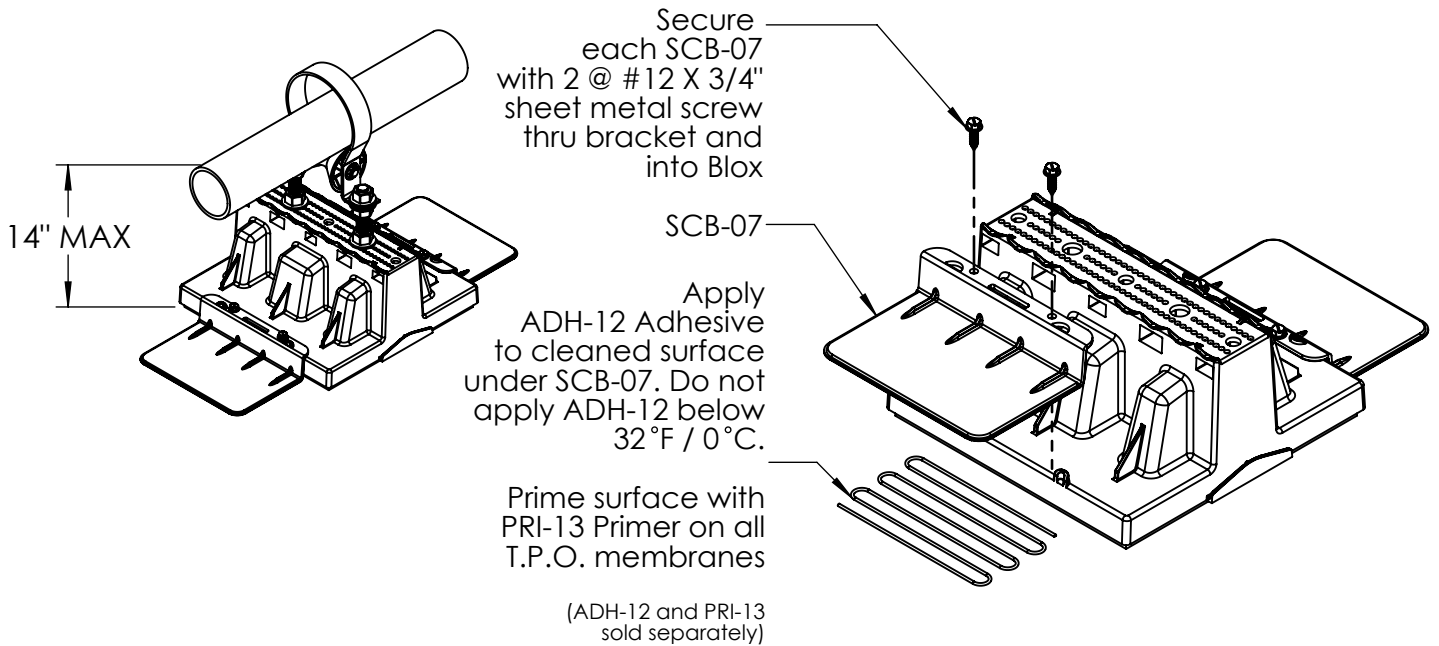
Blox with 4"-6" Pipe Roller Assy.

Max Load Per Blox:
Single Point: 250 lb/113 kg
Dual Point or Strut-Mounted Load: 350 lb/158 kg

P: (860) 979-0345 www.rooftopblox.com
F: (860) 871-9218 info@rooftopblox.com

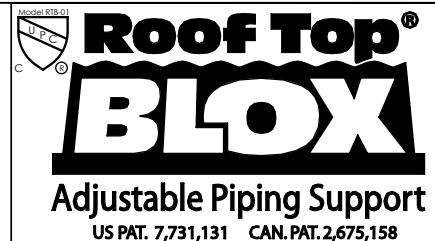
SCB-07 Securing Bracket Instruction Guide

Polycarbonate Securing Brackets with ADH-12 Adhesive



NOTES:

- Before installing, check with roofing manufacturer for adhesive compatibility
- Remove all gravel under Blox installation location
- Remove all oil, dirt, and water under SCB-07 for proper adhesive bonding
- Use Primer for T.P.O. roof membranes
- Use ADH-12 Adhesive to bond SCB-07 in place
- Maximum height on single Blox is 14" overall
- Be sure that dynamic loads do not exceed 175 lb per Blox
- SCB-07 Securing Brackets are highly recommended for all roof top applications



Blox with SCB-07 Securing Bracket

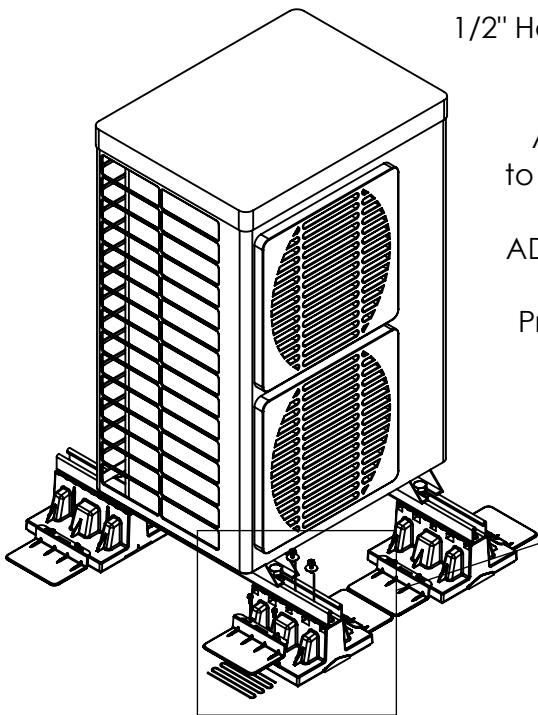
Max Load Per Blox:
 Single Point: 250lb/113 kg
 Dual Point or Strut-Mounted Load: 350 lb/158 kg

P: (860) 979-0345 www.rooftopblox.com
 F: (860) 871-9218 info@rooftopblox.com

SCB-07 Securing Bracket Instruction Guide

Polycarbonate Securing Brackets with ADH-12 Adhesive

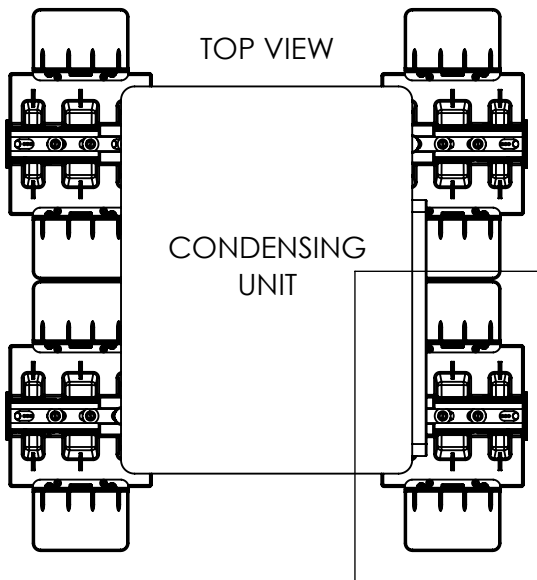
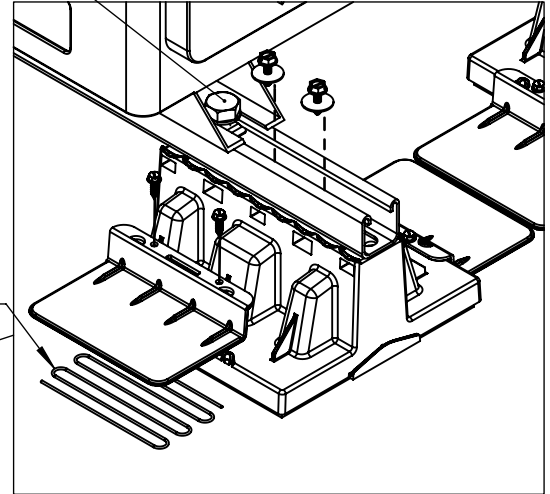
Installation of Condensing Unit



1/2" Hardware to Strut to secure Appliance by Contractor

Apply ADH-12 Adhesive to cleaned surface under SCB-07. Do not apply ADH-12 below 32°F / 0°C.

Prime surface with PRI-13 Primer on all T.P.O. membranes

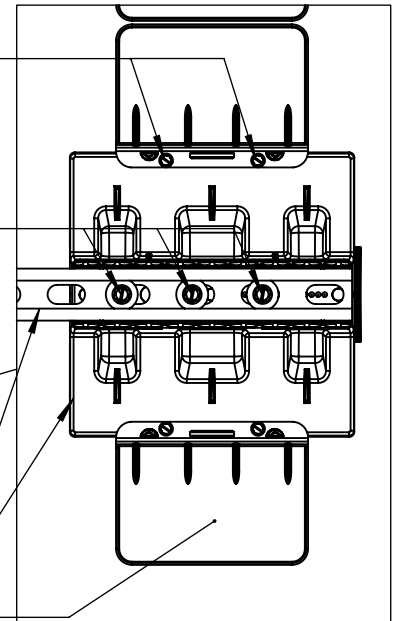


TOP VIEW

CONDENSING UNIT

2 X # 12 X 3/4" Sheet Metal Screw Thru Each SCB-07 and into Blox

3 X # 14 X 1" Screw and Washer Thru Strut into Each Blox by Contractor



Strut by Contractor

RTB-01

SCB-07

Install 2 per each Blox Recommended

NOTES:

- Before installing, check with roofing manufacturer for adhesive compatibility
- Remove all gravel under Blox installation location
- Remove all oil, dirt, and water under SCB-07 for proper adhesive bonding
- Use Primer for T.P.O. roof membranes
- Use ADH-12 Adhesive to bond SCB-07 in place
- Maximum height on single Blox is 14" overall
- Be sure that dynamic loads do not exceed 175 lb per Blox
- SCB-07 Securing Brackets are highly recommended for all roof top applications

Model RTB-01
U.P.C.
c

Roof Top®
BLOX

Adjustable Piping Support

US PAT. 7,731,131 CAN. PAT. 2,675,158

Blox with SCB-07 Securing Bracket

Max Load Per Blox:
Dual Point or Strut-Mounted Load: 350 lb/158 kg
Max Dynamic Load: 175 lb/80 kg Per Blox

P: (860) 979-0345
F: (860) 871-9218

www.rooftopblox.com
info@rooftopblox.com