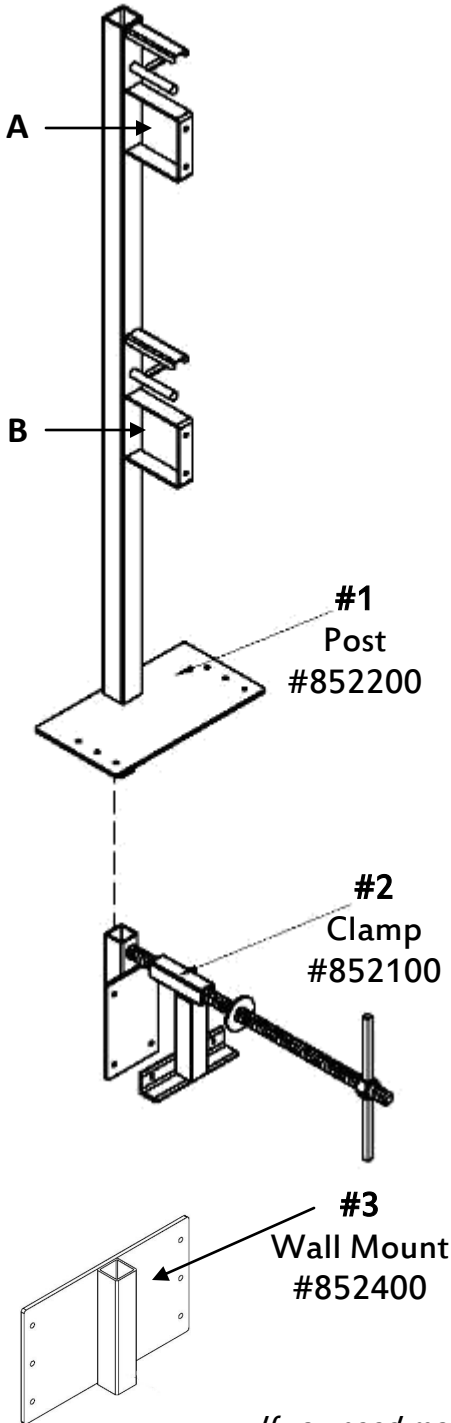


# GRIZZLY EQUIPMENT

## GUARD RAIL SYSTEMS INSTALLATION INSTRUCTIONS (with standard 2 x 4 Studs)



1- For installation of Post only(#1): Secure Post to the parapet wall. Use 1/4"(6mm) diameter x **minimum** 1-1/2"(38mm) long lag screws. Fill all holes. Install Posts at 6 foot(1.83m) intervals (center to center).

The user is responsible to ensure he has the proper length screws depending on condition and type of parapet wall.

1.1- For installation with the Clamp (#2): Tighten the Clamp securely to the parapet wall, make sure that the clamp is vertical. Secure Clamp to the parapet wall. Use 1/4"(6mm) diameter x **minimum** 1-1/2"(38mm) long lag screws. Fill all holes. Install Clamps at 6 foot(1.83m) intervals (center to center).

\*For Masonry wall: Use a 1/4"(6mm) diameter x 1-1/2"(38mm) long tapcon blue screws.

1.2- For installation with Wall Mount (#3): Secure Wall Mount to **Wood Wall**. Use 1/4"(6mm) diameter x **minimum** 1-1/2"(38mm) long lag screws. Secure Wall Mount to **Masonry Wall**. Use a 1/4"(6mm) diameter x 1-1/2"(38mm) long tapcon blue screws. Fill all holes. Install Wall Mounts at 6 foot(1.83m) intervals (center to center).

2- Insert a Guard Rail Post (#1) into the Clamp (#2) or the Wall Mount (#3) and secure Post to the parapet wall. Use a 1/4"(6mm) diameter x **minimum** 1-1/2"(38mm) long lag screws. Fill all holes. Repeat for every Guard Rail Post.

3- Insert 2 X 4 Stud (38mm x 89mm) into the top (A) and the bottom (B) opening of the Guard Rail Post. Lay Stud flat and make sure Stud extend 12 inches on either side of the Guard Rail post. Use 2-1/2"(63mm) #10 wood screws to secure The Stud.

*If you need more information, please do not hesitate to communicate with us.*

*Or visit our web site: [www.alcor-inc.com](http://www.alcor-inc.com)*

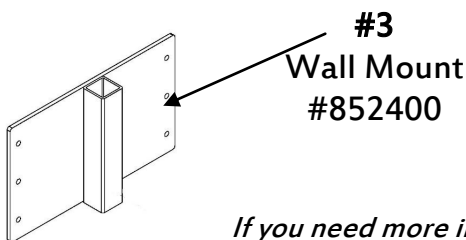
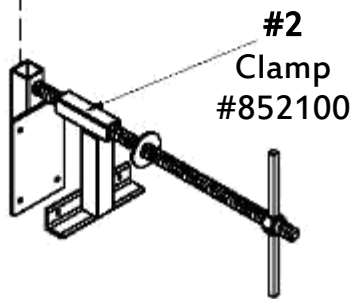
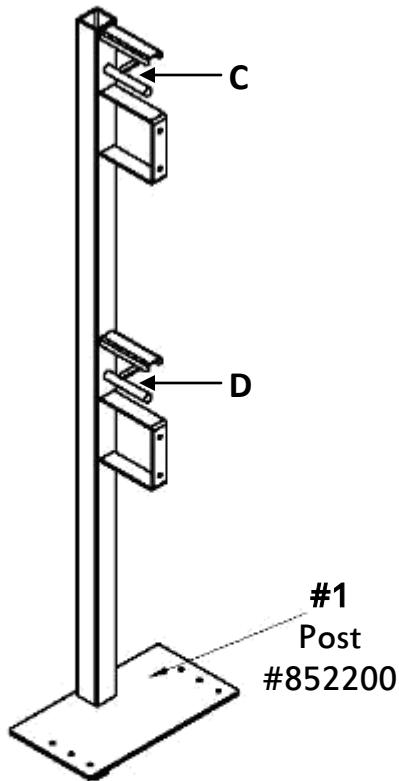


9475, Pascal-Gagnon  
St-Leonard, Qc  
H1P 1Z4  
T. 514-325-1260  
F. 514-325-9952



# GRIZZLY EQUIPMENT

## GUARD RAIL SYSTEMS INSTALLATION INSTRUCTIONS (with 10 foot steel rail)



1- For installation of Post only(#1): Secure Post to the parapet wall. Use 1/4"(6mm) diameter x **minimum** 1-1/2"(38mm) long lag screws. Fill all holes. Install Posts at 10 foot(1.83m) intervals (center to center).

**The user is responsible to ensure he has the proper length screws depending on condition and type of parapet wall.**

1.1- For installation with Clamp (#2): Tighten the Clamp securely to the parapet wall. Make sure that the clamp is vertical. Secure Clamp to the parapet wall. Use 1/4"(6mm) diameter x **minimum** 1-1/2"(38mm) long lag screws. Fill all holes. Install Clamps at 10 foot(1.83m) intervals (center to center).

*\*For Masonry wall: Use a 1/4"(6mm) diameter x 1-1/2"(38mm) long tapcon blue screws.*

1.2- For installation with Wall Mount (#3): Secure Wall Mount to **Wood Wall**. Use 1/4"(6mm) diameter x **minimum** 1-1/2"(38mm) long lag screws. Secure Wall Mount to **Masonry Wall**. Use a 1/4"(6mm) diameter x 1-1/2"(38mm) long tapcon blue screws. Fill all holes. Install Wall Mounts at 10 foot(1.83m) intervals (center to center).

2- Insert a Guard Rail Post (#1) into the Clamp (#2) or the Wall Mount (#3) and secure Post to the parapet wall. Use a 1/4"(6mm) diameter x **minimum** 1-1/2"(38mm) long lag screws. Fill all holes. Repeat for every Guard Rail Post.

3- Insert a 1-5/8"(42.3mm) diameter steel rail in the upper Pin (C).

4- Insert a 1-1/4"(31.75mm) diameter steel rail in the lower Pin (D).

*If you need more information, please do not hesitate to communicate with us.*

*Or visit our web site: [www.alcor-inc.com](http://www.alcor-inc.com)*



9475, Pascal-Gagnon  
St-Leonard, Qc  
H1P 1Z4  
T. 514-325-1260  
F. 514-325-9952

