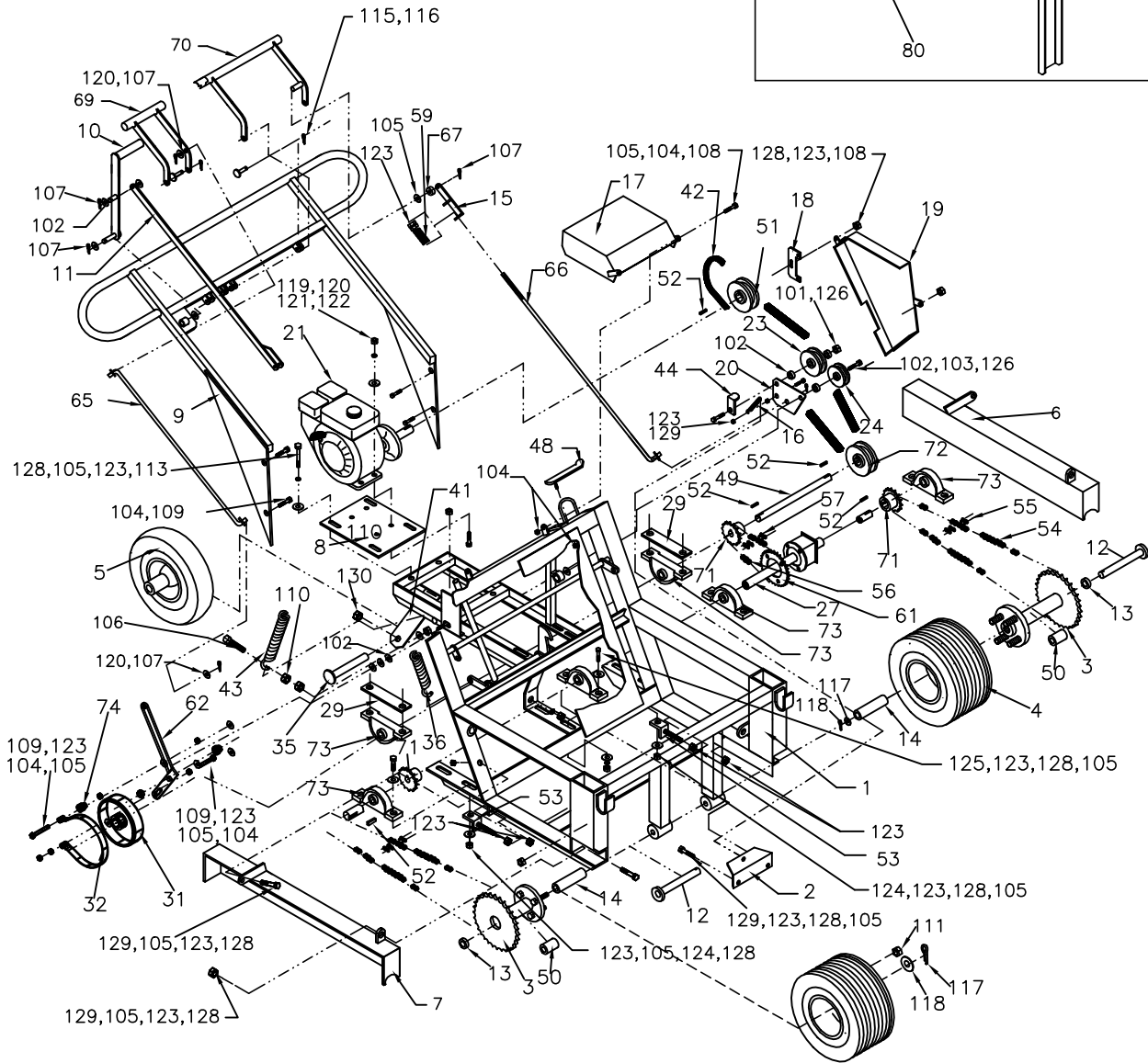
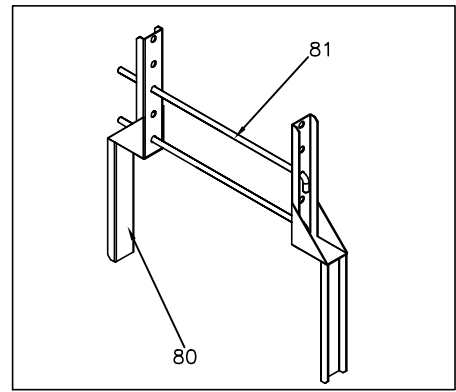


OPTION



MADE FROM JUNE 2018

DATE: 01.01.2001

REV.: 06.01.2018

EQUIPMENT
GRIZZLY
EQUIPMENT

WORKHORSE
WHEELS UNDER

333000C

ITEM	NO.	QTY.	DESCRIPTION	ITEM	NO.	QTY.	DESCRIPTION
1	333001	1	FRAME	69	330069	1	BRAKE HANDLE
2	330002	1	PLATE	70	330070	1	CLUTCH HANDLE
3	333003	2	HUB ASSY.	71	936111	3	SPROCKET
4	935013	2	WHEEL, FRONT	72	921045	1	PULLEY
5	935010	1	WHEEL, REAR	73	923181	6	BEARING
6	333006	1	CHAINE GUARD, RIGHT	74	330071	1	BRAKE SPACER
7	333007	1	CHAINE GUARD, LEFT	101	910260	1	BOLT, HEX
8	330008	1	ENGINE BASE	102	912005	12	WASHER
9	330009	1	HANDLEBAR	103	910258	1	BOLT, HEX
10	330010	1	LEVER, DOOR	104	913507	13	LOCK-NUT
11	330011	1	CONTROL LINK	105	912003	44	WASHER
12	333002	2	WHEEL SHAFT	106	910278	1	BOLT, HEX
13	333004	2	SPACER	107	914703	4	COTTER PIN
14	333005	2	SPACER	108	910153	4	BOLT, HEX
15	330015	2	CLUTCH LINKAGE	109	910156	6	BOLT, HEX
16	937016	1	SPRING	110	913111	3	NUT, HEX
17	330017	1	ENGINE COVER	111	915301	8	NUT, HEX.
18	330018	1	BELT GUARD BRACKET	112	910162	1	BOLT, HEX
19	330019	1	BELT GUARD	113	910157	4	BOLT, HEX
20	330020	1	IDLER BRACKET	114	913003	1	NUT, HEX.
21	950161	1	ENGINE	115	914214	4	CLEVIS PIN
23	921401	1	IDLER PULLEY	116	914702	4	COTTER PIN
24	921403	1	IDLER PULLEY	117	914754	2	COTTER PIN
27	333027	1	DIFFERENTIAL	118	912013	2	WASHER
29	330029	2	BEARING PLATE	119	910106	4	BOLT, HEX
31	940240	1	BRAKE DRUM	120	912002	4	WASHER
32	940230	1	BRAKE BAND	121	913005	6	NUT, HEX.
35	910424	1	BOLT,HEX.	122	912502	4	LOCK-WASHER
36	937011	2	SPRING	123	913007	38	NUT, HEX.
41	900005	1	SWIVEL FORK	124	910155	4	BOLT, HEX
42	920219	1	BELT	125	910154	6	BOLT, HEX
43	937017	1	SPRING	126	913511	2	LOCK-NUT
44	330044	1	BELT GUIDE	127	911151	1	CARRIAGE BOLT
48	330048	2	LOCK	128	912503	26	LOCK-WASHER
49	330049	1	SHAFT	129	910152	8	BOLT,HEX.
50	330050	2	HUB SPACER	130	913517	1	LOCK-NUT
51	921044	1	PULLEY	OPTION FOR HOT TANK			
52	921307	6	KEY	ITEM	NO.	QTY.	DESCRIPTION
53	330053	2	CHAIN AJUST. SCREW	80	330100	2	CHANNEL IRON
54	333054	2	CHAIN, LARGE	81	144101	2	TANK ROD
55	934034	3	MASTER LINK				
56	330056	1	CHAIN, SMALL				
57	934035	1	LINK, OFFSET				
59	937003	1	SPRING				
61	330061	1	SPROCKET				
62	330062	1	LEVER, BRAKE				
65	330065	1	BRAKE ROD				
66	330066	1	CLUTCH ROD				
67	330067	1	BUSHING				

MADE FROM JUNE 2018

DATE:	01.01.2001	WORKHORSE WHEELS UNDER
REV.:	06.01.2018	
EQUIPMENT GRIZZLY EQUIPMENT		333000C