

GRIZZLY

OPERATOR'S INSTRUCTION MANUAL

MODEL: 140 000 / 141 000 ENGINE MODEL: _____
SERIAL: _____ ENGINE SERIAL: _____

DATE OF PURCHASE: _____

PURCHASED FROM: _____

WARNING: THIS PRODUCT IS DESIGNED AND MANUFACTURED TO PROVIDE SAFE AND DEPENDABLE SERVICE IF OPERATED ACCORDING TO INSTRUCTIONS. THE MANUFACTURER PROVIDES THE FOLLOWING INSTRUCTIONS FOR USE AND CARE OF THIS EQUIPMENT AND RELIES UPON THE PURCHASER TO SEE TO IT THAT THESE INSTRUCTIONS ARE MADE CLEAR TO THE PERSONS WHO WILL ACTUALLY BE USING THE EQUIPMENT. FAILURE TO DO SO COULD RESULT IN SERIOUS INJURY OR EQUIPMENT DAMAGE.

GRIZZLY EQUIPMENT

9475 PASCAL GAGNON STREET, ST-LÉONARD, QUEBEC, CANADA

TEL: (514) 325-1260 / 1-888-325-9953 FAX: (514) 325-9952

E-MAIL: info@alcor-inc.com Web site: www.grizzlyequip.com

INDEX

INTRODUCTION 3

PREPARATION 4

 OPERATOR;..... 4

WEAR PROPER ATTIRE 4

ROOF PREPARATION 4

 INSPECT ROOF DECK 4

 WARNING LINE SYSTEM 4

HOISTING MACHINE TO ROOF 5

 INSPECT THE HOIST..... 5

 LIFTING MACHINE TO THE ROOF..... 5

SAFETY PRECAUTIONS 6

OPERATION 7

 BEFORE OPERATION 7

BASIC EQUIPMENT OPERATION 8

 The Controls and Operation 8

HOT STUFF TANK OPERATION 9

 Hot Stuff tank attachment 9

 Filling of the hot tank..... 9

 Transporting and draining the tank..... 9

 MAINTENANCE 10

SAFETY HAZARDS..... 11

 Falls 11

 Burns 11

 Heavy Lifting..... 11

 Fire/Explosion..... 11

 Electrocution 12

 Falling Objects 12

 Flying Objects 12

 Unguarded Machinery 12

BLOW OUT 13

INTRODUCTION

140 000, 141 000 TRAILERS

Thank you for purchasing this quality **GRIZZLY** product. With proper use and care, this trailer will provide many years of reliable service. For the safety of all job-site personnel it is mandatory that the instructions provided for the use and handling of the equipment be read and thoroughly understood by the operators.



CAUTION

INTENDED USE; THIS MACHINE IS INTENDED TO BE USED ON FLAT, LEVEL ROOFS ONLY FOR THESE APPLICATIONS; FELT CARRIER, INSULATION CARRIER, HAULING DEBRIS OR HOT STUFF CARRIER WHEN USED WITH THE PROPER ACCESSORIES.

ANY OTHER USE OF THIS EQUIPMENT VOIDS THE MANUFACTURER'S WARRANTY AND IS THE SOLE RESPONSIBILITY OF THE OWNER/USER, SHOULD ANY DAMAGE OR INJURY OCCUR.

PREPARATION

OPERATOR:

START BY READING AND FULLY UNDERSTANDING OPERATING INSTRUCTIONS. IF SOMETHING IS NOT UNDERSTOOD, HAVE SOMEONE ELSE READ AND EXPLAIN THE INSTRUCTIONS TO THE OPERATOR OR CALL THE MANUFACTURER FOR INFORMATION. AN UNINFORMED OPERATOR CAN SUBJECT HIMSELF AND OTHERS TO DEATH OR SERIOUS INJURY.

WEAR PROPER ATTIRE

Safety glasses are recommended and must be worn if any roof cutting or scraping is being done in the vicinity. Safety glasses and or face shield are also necessary when working with hot stuff.

Wear properly fitting clothes. Tight clothing can restrict movement and slow down reaction time in a dangerous situation. Loose fitting clothing can be dangerous and cause serious injury if it gets caught in moving mechanical parts. Wear a long-sleeved shirt, buttoned at the cuffs, safety shoes, and pants without cuffs, and knit wrist type gloves.

A hard hat must be worn by operator when working on a job site.

ROOF PREPARATION

INSPECT ROOF DECK

Before allowing equipment and personnel access to roof, make certain roof is strong enough to support the weight. Check load limits of deck with owner, builder or architect. Clear the work area of all potentially dangerous obstacles that could cause personal injury to the operator or others. Keep unauthorized people away from construction area. Check to see that all roof openings are guarded to protect against falls.

WARNING LINE SYSTEM

When operating parallel to roof edge warning line system must be at least six feet from edge. When operating perpendicular to edge warning line must be ten feet from roof edge.

HOISTING MACHINE TO ROOF

WARNING; ALWAYS CHECK DECK LOAD LIMITS WITH BUILDER, OWNER, OR ARCHITECT BEFORE DECIDING TO USE ON THE ROOF.

INSPECT THE HOIST

Make certain hoist is in safe operating condition, to be operated by trained personnel. The hoist should be clear of ground objects and overhead obstacles, such as power lines; it should be secure and properly counterbalanced. Hoist should be inspected for frayed cables, bent frame members or faulty mechanical parts. Make sure everyone on the ground is completely clear of the hoisting area. Do not exceed the weight and size capacity of your hoist. Do not use if you are in doubt.

LIFTING MACHINE TO THE ROOF

Lift rings are not provided on this machine. Lift trailer by firmly securing lift cable around the machine's frame. Always make sure the hoist, cable, hook, etc. are in good running order or damage or injury may result.

WARNING; HOT STUFF TANKS ARE NOT DESIGNED TO BE LIFTED IN COMBINATION WITH TRAILER. HOIST THESE ATTACHMENTS SEPARATELY. NEVER LIFT THESE ATTACHMENTS WITH HOT STUFF CONTAINED. HOT STUFF TANKS MUST BE LIFTED WITH METAL SLINGS ONLY.

WEIGHT AND CAPACITY;

<u>Equipment</u>	<u>Weight (approx)</u>	<u>Capacity</u>
140 000 Little Giant LG 18 trailer	190 lbs	-----
141 000 Little Giant LG 8 trailer	158 lbs	-----
145 500 55 gal. insulated tank	80 lbs	55 US gal.
Dump tray	175 lbs	16.5 cu. ft.

For calculating loads the following data may be used: asphalt weighs approximately 8.0lbs/US gallon.

Check with your material sources for actual weight or material you are using.

SAFETY PRECAUTIONS

- Do not allow other people to be near the machine during operation (except operator)
- Do not hoist 55 Gal. insulated tank with hot stuff contained.
- Never operate equipment that is damaged in any way. Repairs or replacement of damaged components must be made by a qualified mechanic.
- Do not modify the equipment. Do not operate a modified piece of equipment.
- Avoid slick areas on the roof to prevent slipping.
- Wear safety footwear and snug fit clothing.
- Be trained to do the specific job before operating the equipment on an actual job.
- Do not exceed weight carrying capacity of the deck. Check with owner or architect for deck capacity.
- Operate on flat, level roofs only.
- Guard all openings in the roof.
- Do not operate within 10 feet of roof edge (or within 6 feet, if operation in parallel to the edge).
- Do not operate this machine if you are under the influence of alcohol, marijuana, or drugs that could impair judgment and ability.
- Keep the equipment in good condition.
- Make certain the operator and others in the vicinity wear a respirator and other protective gear as conditions warrant.

OPERATION

BEFORE OPERATION

- Check machine for cracks, broken welds and other damage. Repair or replace if damaged.
- Tire Servicing: check tire pressure on tires.

Always check tire manufacturer's recommendations for correct tire pressure before inflating tire. (Correct tire pressure should be imprinted on the side of the tire.)

Before operating with Hot Stuff Tank;

1. Make sure the tank is dry before using and that there is no trash or foreign matter in the tank. Even small amounts of moisture will react violently with hot material.
2. Inspect tank lining for any coke build-up or condensation. Clean if necessary.
3. Always wear proper clothing (100% cotton is best) as recommended by roof association when on a roof;
 - a) Hard hat with face shield
 - b) Long sleeve work shirt buttoned at the wrist and collar
 - c) Long work pants with no cuffs
 - d) Safety high top shoes
 - e) Work gloves with knit wrist (to prevent hot material from spilling into the glove)
4. Be sure hot line is secure and cannot move, splashing operator during the filling of tank.
5. Be sure carrier is secure.
6. Use tank only on a flat, level roof and within a perimeter warning system.
7. Check temperature of material at the kettle or tanker. Do not accept hot material unless it is within the recommended range of the manufacturer.
8. Keep an **approved fire extinguisher** available in case of fire. **Never use water.**
9. Inspect tank for any exterior damage and do not use if you suspect damage.
10. Check that roof deck is rated to handle the weight of the tank, carrier and asphalt (8lbs per US gallon) before using.
11. Do not allow any external ignition source (matches, cigarettes) near heated asphalt or your hot tank.

DANGER; ERUPTION OF OVERHEATED ASPHALT HAS BEEN REPORTED. READ AND UNDERSTAND INSTRUCTIONS.

BASIC EQUIPMENT OPERATION

The 140 000 and 141 000 Little Giant trailers are designed for use inside a perimeter warning system. They are push/pull type machines. Do not operate within 10 feet of roof edge (or 6 feet if operating parallel to roof). Keep well clear of other people and materials on the roof while operating. Do not use the equipment if you don't have a qualified operator.

The Controls and Operation

Refer to figure 2 while familiarizing yourself with control functions.



Fig. 2 Little Giant Controls A - Handle B - Brake

To go forward, pull up on handle and pull the trailer. Brake will release automatically. To stop, release the handle and the brake will come on. Speed is controlled by operator. The trailer can be pulled or pushed, the brake will function either way. Do not move the trailer suddenly, injuries may occur.

After reading through all of the instructions, the 140 000 or 141 000 Little Giant and/or the 55 Gal. Insulated tank should be ready for operation. When operating equipment for the first time, position the equipment on the ground or in an open level area away from obstructions and roof edges. With no load on the 140 000 or 141 000 Little Giant, practice manoeuvring the equipment by operating controls as described in this manual. All operators must check to see that the brake is functioning properly. When the handle is released the Little Giant should stop instantly. If it does not, do not operate the equipment until repairs or adjustments are made.

HOT STUFF TANK OPERATION

Hot Stuff tank attachment

Install channel irons, tank and rods as shown in fig. 3 and for more information see option in the illustrated parts list.



Fig. 3

CAUTION; GRIZZLY hot tanks should be used only with GRIZZLY carriers.

Filling of the hot tank

- 1- Never stand downwind of hot source when filling as fumes and/or hot material may cause injury.
- 2- Do not fill hot tank more than 3/4 full to avoid splashing of hot material.
- 3- **Never fill with overheated material. Flash points vary and proper temperature level information must be obtained from the asphalt manufacturer. OVERHEATED ASPHALT MAY ERUPT.**

Transporting and draining the tank

1. Transport the hot tank very smoothly and slowly so splashing can not occur. Make sure no obstacles are in the path and bumps are encountered with caution. Do not make sudden turns. Avoid transporting of hot stuff on ramps.
2. Keep lid closed during transporting and draining.
3. Never tip hot tank when transporting, filling, or draining. Tip only when tank is empty and cool.
4. Be sure brake is set before discharging "hot".
5. Never stand downwind from draincock while discharging hot material toward the operator. Stand clear of the path of discharging hot material.

ERUPTION/FLASHING – AN ERUPTION REQUIRES THESE THREE COMPONENTS TO HAPPEN

Examples:

1. **Fuel** – Flammable gases from overheated, poorly refined hot material.
2. **Air**- Can come from tipping, sloshing, or discharging asphalt with filler lip open.
3. **Ignition** – Overheated material or material in tank with lower flash point (coked material on walls of tank, trash, cigarette, match).

Obtain information from your supplier of hot material for specific instructions on ways to avoid eruption or flashing of their particular product.

MAINTENANCE

Lubrication recommendations are: roller bearings on wheels should be greased regularly.

All parts should be inspected on a regular basis, and replaced or repaired as necessary. This includes tires, rollers or structural parts of the Carrier.

Replace broken parts before operating.

Tire Servicing: Check tire pressure on tires.

Always check tire manufacturer's recommendations for correct tire pressure before inflating tire.
(Correct tire pressure should be imprinted on the side of the tire.)

SAFETY HAZARDS

Safety hazards are not always obvious to workers. Unlike exposure to health hazards, where illness or injury develop slowly, safety hazards usually result in immediate injury or death.

Broken bones, cuts bruises, sprains, burns and loss of limbs, eyesight and hearing are the kinds of injuries caused by safety hazards.

The rate of occupational injuries in roofing, in fact, ranks in the top ten of all major occupational groups.

Falls

Falls are the number one cause of serious injury and death to roofers. An estimated 10 percent of all roofing accidents result from falls off roof edges, through roofing openings or off ladders, more than half of the non-fatal accidents result in serious injury.

Unprotected and unguarded roof edges and roof openings create extremely hazardous conditions.

Ladders with cracked, loose or missing steps: with side rails broken or cracked and not attached firmly to the steps; with broken, loose or missing locks, or coated with grease, oils or hardened bitumen can lead to serious injury. Ladders should always be inspected to make sure they're properly maintained and constructed and that they're long enough to extend three feet above the roof's surface.

Improperly balanced or unstable hoists overturn and will often carry the worker along. Rolls of roofing felt should never be used as counterweight. Workers should know the load capacity; it should be posted.

Burns

Skin contact with hot asphalt and hot coal tar pitch usually results in second and third degree burns. They usually involve deeper portions of the skin and are easily infected.

An estimated 16 percent of all injuries are burns from hot stuff. The major causes of burns have been from:

Kettle flashes

- ▶ Kettle splashes from dropping pieces of coal pitch or asphalt into the kettle
- ▶ Slips and trips while carrying hot bitumen in open containers
- ▶ Splashes involving transfer operations like from the hot pipe outlet to a hot lugger, from a hot lugger to a mop cart or a pail, or from the kettle to a pail.

Heavy Lifting

Sprains and strains, a majority of which involve the back, are the most common roofing injury and one of the most severe. Almost 30 percent of these injuries result in 10 or more days away from work.

Fire/Explosion

Two conditions must be met in order for fires and explosions to occur. First, there must be an ignition source, a welding arc, spark, cigarette, flame or simply a hot spot as in a kettle or tanker. Secondly, there must be the right mixture of vapours (from asphalt, pitch, solvents) and oxygen.

For kettles and tankers, fire/explosion conditions arise when:

- ▶ oversized burners are used to fire the kettle, causing localized overheating of the heating tubes creating a hot spot
- ▶ the temperature of the bitumen is brought up to the desired operation temperature too quickly allowing the level of bitumen to drop to the level of the firing tubes, allowing excessively high surface temperatures
- ▶ heating the bitumen to its flash point (for asphalt, about 525°-540°; for pitch, about 450°-475°)
- ▶ the temperature of the bitumen is hot enough to reach the auto-ignition level
- ▶ in tankers, the vent pipe is clogged or plugged so that flammable vapours can build up to explosive levels

Many solvents evaporate quickly at roof temperatures. Explosive mixtures of vapours can be readily formed within confined spaces like high parapet walls, in atriums or in any space where little or no ventilation exists. And any kind of spark or flame can ignite the vapours.

Electrocution

Low voltage electricity can cause shock, muscle contractions, breathing difficulty, irregular heartbeat, severe burns and death. The route that the current takes through the body affects the degree of injury. Current flowing from one finger to another would not pass vital organ, while from one hand to another would pass through the heart and lungs.

Electrical tools should be properly grounded. The electrical cord should end in a three-prong grounding contact, or the wires should be enclosed in a metal case with a special grounding attachment.

Employers are required to provide ground fault circuit interrupters for all outlets on construction sites that are not part of the permanent wiring of the building. This is actually a fast-acting circuit breaker, which can shut off electricity in a fraction of a second.

Aluminum or other metal ladders pose a serious electrical hazard around electrical equipment and energized lines.

Falling Objects

Tools, bricks, materials, buckets, boxes, pallets or almost anything dropped from a sufficient height can cause severe damage. Head injuries, one of the highest compensated injuries to workers, often include brain damage.

Workers need protective head gear when working beneath people, tools and equipment.

Flying Objects

Objects can be projected by machines, from welding or grinding operations and can be windblown. Tear-off operations, where power cutters, power brooms and power spudders are generally used, are the major source of flying substances.

The part of the body most often injured is the eyes.

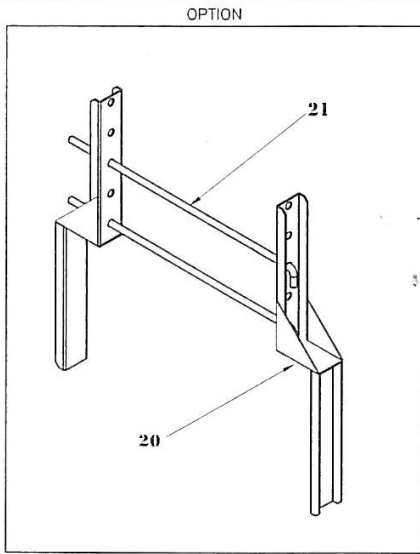
Unguarded Machinery

Exposed blades and chains on powered machinery like hoists and roof cutters can severely lacerate and crush parts of the body. Guards should always be fitted over moving parts to protect workers.

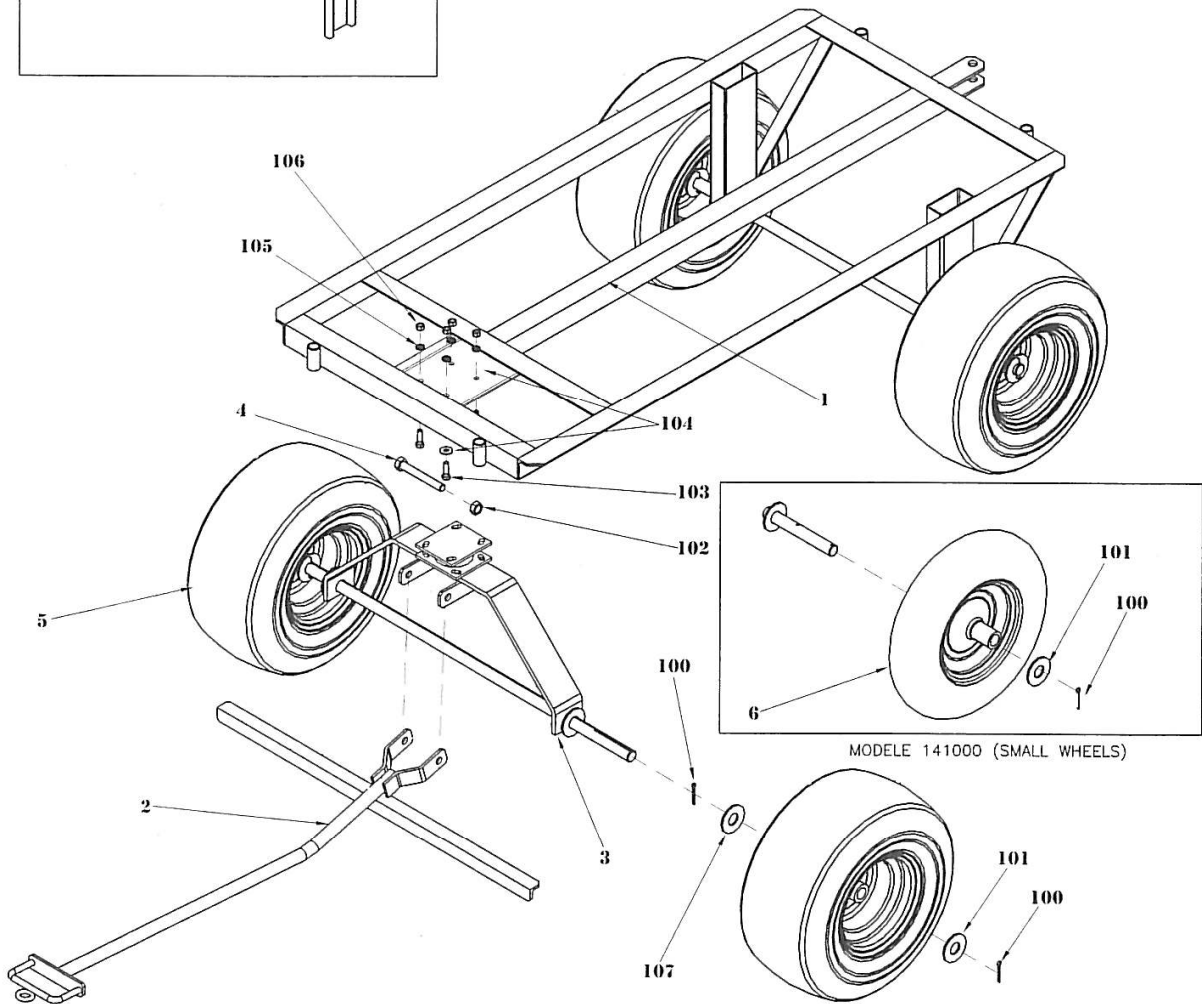
Tire Servicing: Check tire pressure on all three tires.

Always check tire manufacturer's recommendations for correct tire pressure before inflating tire. (Correct tire pressure should be imprinted on the side of the tire.)

BLOW OUT



MODELE 140000 (LARGE WHEELS)	ITEM NO.	QTY.	DESCRIPTION
	1	140001	1 FRAME
	2	140002	1 PULL HANDLE
	3	140003	1 FRONT AXLE
	4	910370	1 BOLT, HEX.
	5	935006	4 WHEEL, LARGE
	100	914755	8 COTTER PIN
	101	912021	4 WASHER
	102	913515	1 LOCK-NUT.
	103	910153	4 BOLT, HEX.
	104	912003	8 WASHER
	105	912503	4 LOCK-WASHER
	106	913007	4 NUTS
	107	912020	4 WASHER
MODELE 141000 (SMALL WHEELS)	6	935009	4 WHEEL, SMALL
OPTION FOR HOT TANK	20	140100	2 CHANNEL IRON
	21	144101	2 TANK ROD



DATE:	11.15.2000	LITTLE GIANT
REV.:	01.01.2005	
EQUIPEMENT GRIZZLY EQUIPEMENT		140000/141000