

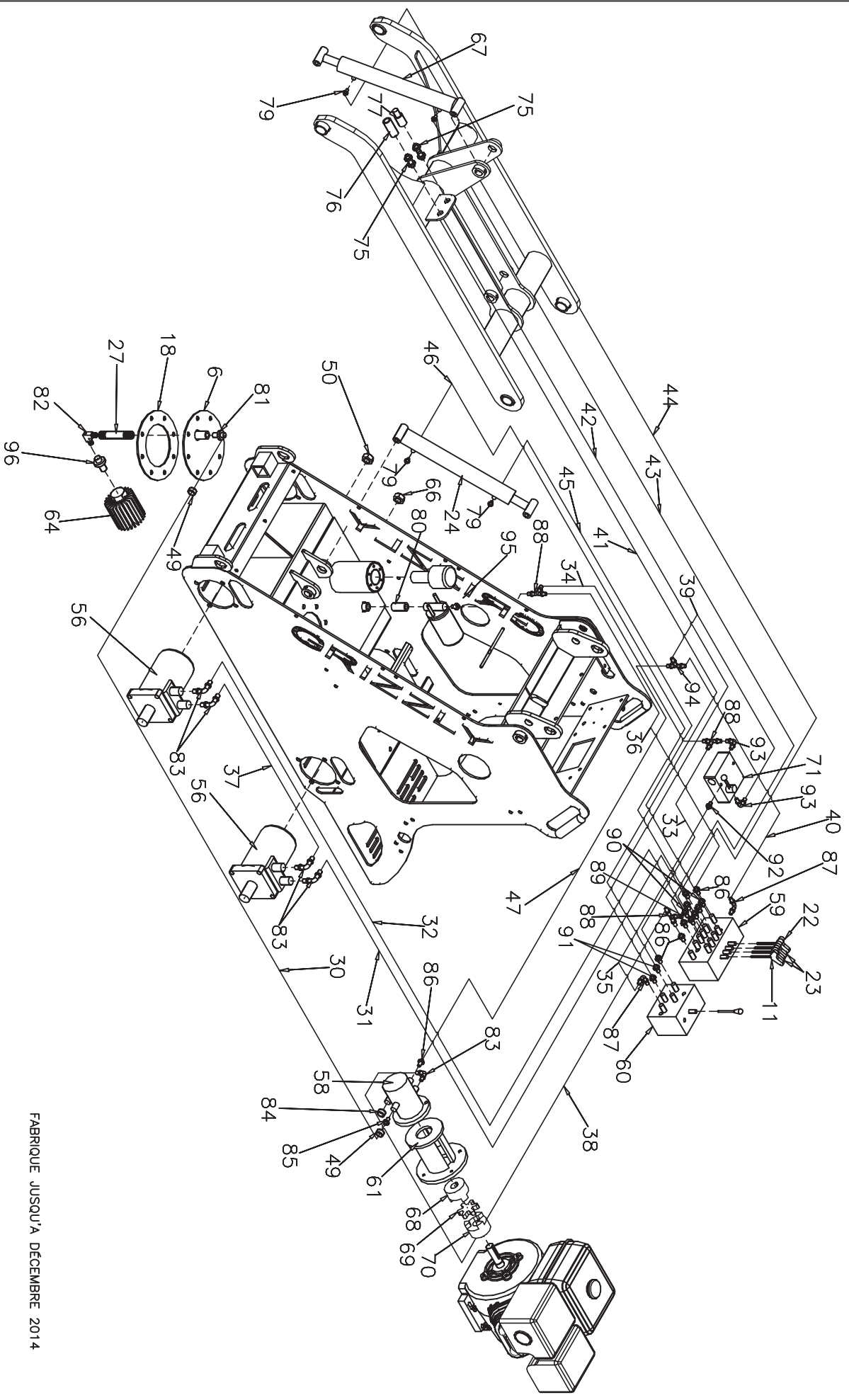
MADE UNTIL DECEMBER 2014

DATE: 04.01.2009  
 REV.: 01.01.2015

G41

EQUIPMENT  
**GRIZZLY**  
 EQUIPMENT

410000



FABRIQUE JUSQU'À DÉCEMBRE 2014

MADE UNTIL DECEMBER 2014

DATE:	04.01.2009	G41
REV.:	01.01.2015	
EQUIPEMENT		410000
<b>GRIZZLY</b>		
EQUIPEMENT		

ITEM	NO.	QTY.	DESCRIPTION	ITEM	NO.	QTY.	DESCRIPTION
1	410001	1	FRAME	62	946290	1	FILTER ADAPTOR
2	410002	1	GAS TANK	63	946291	1	FILTER,10 MICRON
3	410003	1	BOX	64	946303	1	TANK STRAINER
4	410004	1	ARMS, LOADER	65	946321	1	LEVEL GAGE
5	410005	1	UNIVERSAL ADAPTOR PLATE	66	946323	1	SIGHT GLASS
6	410006	1	COVER, HYD. TANK	67	946342	1	CYLINDER, TILT
7	410007	1	DASH	68	946360	1	FITTING
8	410008	1	PLATE, FLOW CONTROL	69	946361	1	FITTING
9	410009	1	LOCK, CYLINDER	70	946364	1	FITTING
10	410010	1	BATTERY HOLDER	71	946382	1	FLOW CONTROL
11	410011	1	LEVER CONTROL, TILT	72	951640	1	KOHLER ENGINE
12	410012	1	COVER, LOWER	73	951800	1	MUFFLER
13	410013	1	COVER, UPPER	74	951801	1	SPARK ARRESTOR
14	410014	2	PIN	75	948872	2	ADAPTOR
15	410015	2	PIN	76	948870	1	QUICK COUPLER, FEMALE
16	410016	3	PIN	77	948871	1	QUICK COUPLER, MALE
17	410017	1	PIN	78	946300	1	FILLER BREATHER BAYONET
18	410018	1	GASKET, TANK	79	947365	4	ADAPTER
19	410019	4	BUSHING	80	948011	1	ADAPTER
20	410020	2	LOCK PIN, ADAPTOR PLATE	81	947372	1	ADAPTER
21	410021	2	BUSHING, LOCK PIN	82	947918	1	FITTING
22	410022	1	LEVER CONTROL, LIFT	83	947841	9	FITTING
23	410023	2	LEVER CONTROL, TRACTION	84	948036	1	CAP
24	410024	1	CYLINDER, LIFT	85	947753	1	ADAPTER
25	410025	1	LEVER, FLOW CONTROL	86	947744	4	ADAPTER
26	410026	2	SPRING	87	947837	2	FITTING
27	930733	1	NIPPLE, SUCTION	88	947967	3	"T"
28	935024	4	TRAC CHIEF WHEEL	89	948340	1	CAP
29	940161	1	SPRING PIN	90	947739	8	ADAPTER
30	410030	1	HYD.HOSE	91	947743	2	ADAPTER
31	410031	2	HYD.HOSE	92	947366	1	ADAPTER
32	410032	2	HYD.HOSE	93	947466	2	FITTING
33	410033	1	HYD.HOSE	94	947627	1	"T"
34	410034	1	HYD.HOSE	95	947370	1	ADAPTER
35	410035	1	HYD.HOSE	96	947991	1	ADAPTER
36	410036	1	HYD.HOSE	97	910027	2	WASHER
37	410037	2	HYD.HOSE	100	910057	2	BOLT,HEX.
38	410038	1	HYD.HOSE	101	910105	4	BOLT,HEX.
39	410039	1	HYD.HOSE	102	910108	12	BOLT,HEX.
40	410040	1	HYD.HOSE	103	910152	5	BOLT,HEX.
41	410041	1	HYD.HOSE	104	910153	8	BOLT,HEX.
42	410042	1	HYD.HOSE	105	910155	4	BOLT,HEX.
43	410043	1	HYD.HOSE	106	910204	2	BOLT,HEX.
44	410044	1	HYD.HOSE	107	910253	20	BOLT,HEX.
45	410045	1	HYD.HOSE	108	910258	16	BOLT,HEX.
46	410046	1	HYD.HOSE	109	910600	2	ROUND HEAD SCREW
47	410047	1	HYD.HOSE	110	931003	2	NUT,HEX.
48	946305	1	CAP, GAS TANK	111	912003	13	WASHER
49	940409	2	COLLAR	112	912001	2	WASHER
50	947999	1	DRAIN PLUG, TANK	113	912002	19	WASHER
51	942840	1	BLACK CABLE	114	915301	20	NUT WHEEL
52	942843	1	RED CABLE	115	912501	2	LOCK-WASHER
53	942842	1	COVER, TERMINAL	116	912502	6	LOCK-WASHER
54	942851	1	BATTERY	117	912503	17	LOCK-WASHER
55	942860	1	HOURMETER	118	912504	2	LOCK-WASHER
56	944001	4	MOTOR, WHEEL	119	912505	24	LOCK-WASHER
57	944011	4	HUB, WHEEL	120	913005	6	NUT,HEX.
58	946244	1	PUMP	121	913007	4	NUT,HEX.
59	946264	1	MAIN VALVE	122	913009	2	NUT,HEX.
60	946265	1	AUXILIARY VALVE	123	913011	16	NUT,HEX.
61	946281	1	BELL HOUSING	124	913403	2	BUTTERFLY NUT
				125	913505	10	LOCK-NUT
				126	913511	2	LOCK-NUT
				127	914703	2	COTTER PIN

MADE UNTIL DECEMBER 2014

DATE:	04.01.2009	G41
REV.:	01.01.2015	
<b>EQUIPEMENT GRIZZLY EQUIPEMENT</b>		410000